

HEIMBERG

TECHNICAL DATASHEET



HEIMBERG-LUTZ CONCEALDE BATH/SHOWER MIXER WITH DIVETER

SPECIFICATIONS

INFORMATION

Productcode:	HBM-LUT-170-MB
Finish	Matt Black
Producttype:	Single Lever Concealed Bath Shower Mixer
Material	body: brass, cartridge: 35mm Sedal Cartridge
Connection size:	1/2
TestRange:	0.8L3.0 bar

Hot water inlet temperature: max 90°C

recommended use (saving energy):60°C

Note: if the static pressure exceeds 5bar , it must be installed a pressure reducing valve, to avoid pressure differences in cold and hot water supply

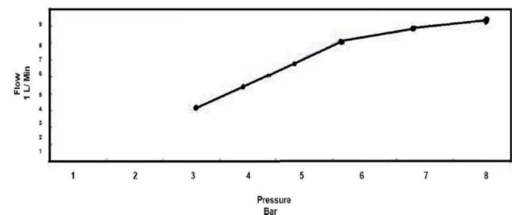
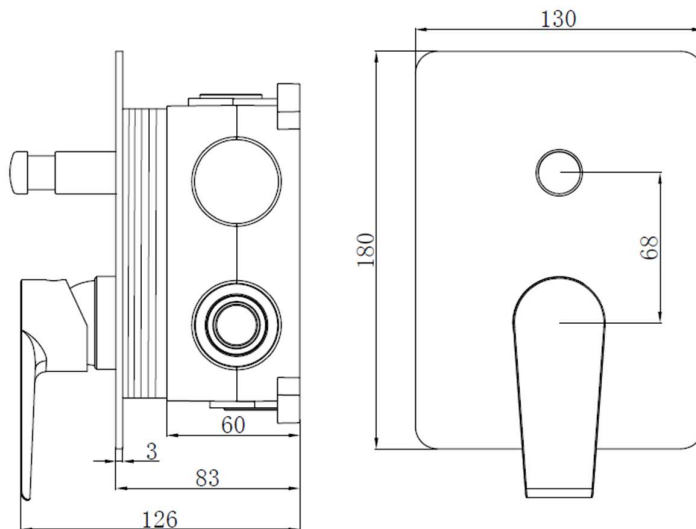
TECHNICAL INFORMATION: BOX CONTENTS

SHOWER MIXER VALVE: SINGLE HANDLE, FIXING KIT

WITH CONCEALED BOX

5 YEARS GUARANTEE 1 YEAR ON COLOR

DRAWING



For more information's about this product or our full product range please contact us:
Email: info@heimbergint.com

HEIMBERG