

HEIMBERG

TECHNICAL DATASHEET



HEIMBERG-AQUA: LINEAR SHOWER CHANNEL WITH REVISEBLE COVER SIZE: 600X68 MM

SPECIFICATIONS

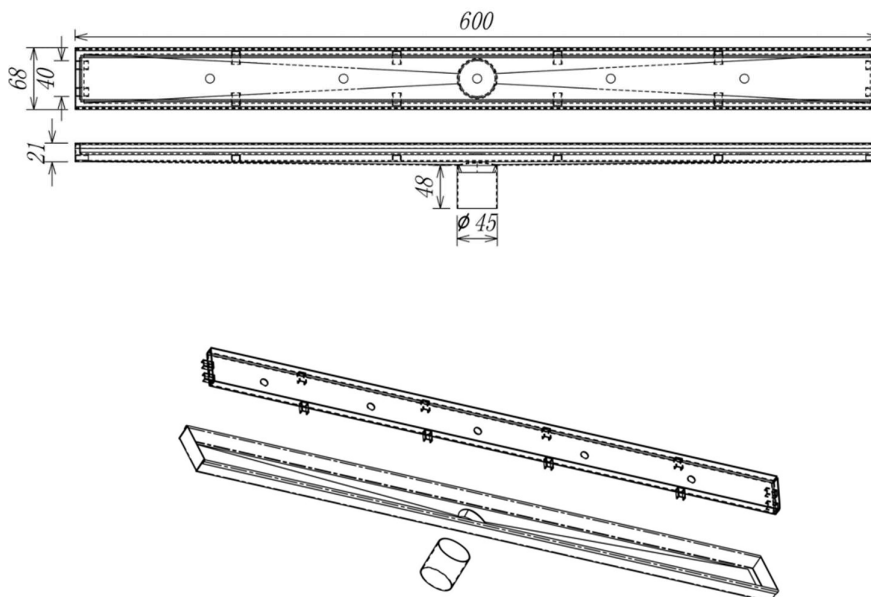
INFORMATION

Productcode:	HBP-DRN-960-2-SS
Finish	Brushed stainless steel
Producttype:	Shower Channel
Material	stainless steel
Connection size:	Ø50MM

Technical Information

SHOWER CHANNEL BASE,
VERTICAL OUTLET STAINLESS
STEEL STRAINER, and WATER
FLOW CAPABILITY: 65L/MIN (OD2")
DRAIN CHANNEL IS SLOPED
ADJUSTABLE FOOT TILE INSERT
DEPTH 12-13MM STAINLESS
STEEL GRADE 304,
W X D X H: 600 X 68 X 70

DRAWING



For more information's about this product or our full product range please contact us:
Email: info@heimbergint.com

HEIMBERG