

HEIMBERG

HEIMBERG-VOLA WALL MOUNTED SHOWER VALVE.



T
E
C
H
N
I
C
A
L
D
A
T
A
S
H
E
E
T

SPECIFICATIONS

TECHNICAL INFORMATION

Product code:	HBM-VOL-170-MB
Finish	Matt BLACK
Product type:	wall-mounted shower mixer valve
Material	body: brass, cartridge: 35mm Sedal Cartridge
Connection size:	½
Test Range:	0.2-5 bar
Max Pressure:	16bar

Hot water inlet temperature: max 90°C

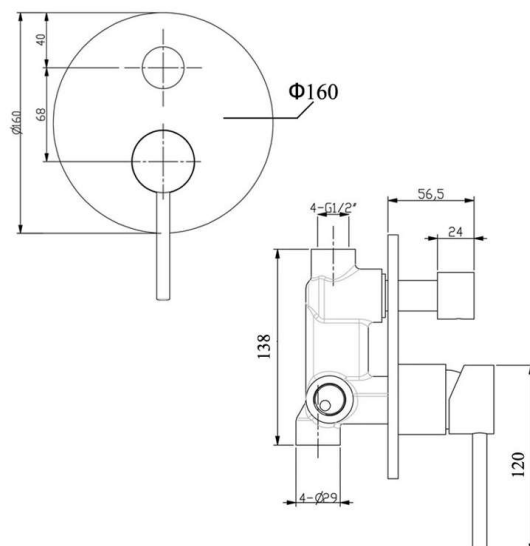
Recommended use (saving energy):60°C

Note: if the static pressure exceeds 5bar, it must be installed a pressure reducing valve, to avoid pressure differences in cold and hot water supply

TECHNICAL INFORMATION:

SHOWER MIXER VALVE: SINGLE HANDLE, FIXING KIT

DRAWING



For more information's about this product or our full product range please contact us:
Email: info@heimbergint.com

HEIMBERG