

HEIMBERG

HEIMBERG-ADVANCE SINGLE LEVER TALL BASIN MIXER



T
E
C
H
N
I
C
A
L

D
A
T
A
S
H
E
E
T

SPECIFICATIONS

TECHNICAL INFORMATION

Product code:	HBM-LAB-100-CP
Finish	Chrome
Product type:	Single Lever Tall Basin Mixer
Material	body: brass, cartridge: 35mm Sedal Cartridge Hose s.s.50cm
Connection size:	½
Test Range:	0.2-5 bar
Max Pressure:	16bar

Hot water inlet temperature: max 90°C

Recommended use (saving energy):60°C

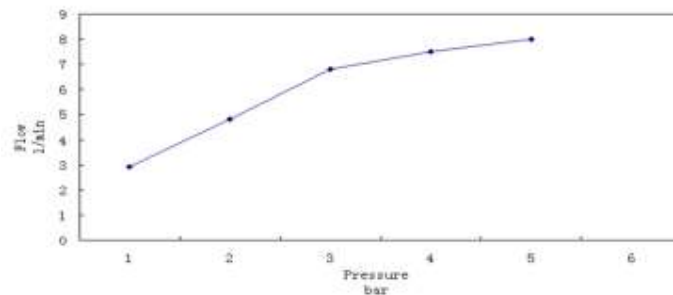
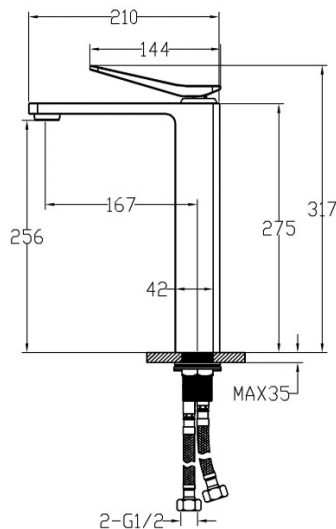
Note: if the static pressure exceeds 5bar, it must be installed a pressure reducing valve, to avoid pressure differences in cold and hot water supply

TECHNICAL INFORMATION: BASIN MIXER

SINGLE HANDLE W/O POP UP WASTE

DILLR HOLE DIA 35MM

DRAWING



For more information's about this product or our full product range please contact us:
Email: info@heimbergint.com

HEIMBERG