

# HEIMBERG

## HEIMBERG-ADVANCE SINGLE LEVER BASIN MIXER



### SPECIFICATIONS

### TECHNICAL INFORMATION

Product code:	HBM-LAB-100-MB
Finish	Matt Black
Product type:	Single Lever Basin Mixer
Material	body: brass, cartridge: 35mm Sedal Cartridge Hose s.s.50cm
Connection size:	½
Test Range:	0.2-5 bar
Max Pressure:	16bar

Hot water inlet temperature: max 90°C

Recommended use (saving energy):60°C

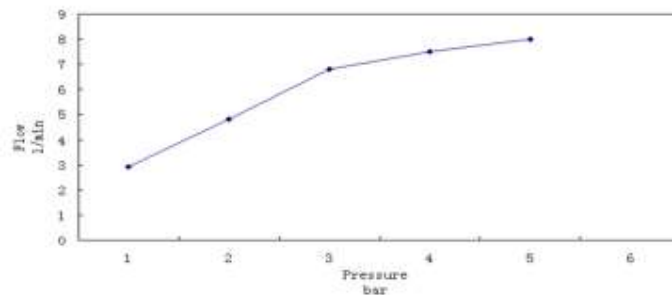
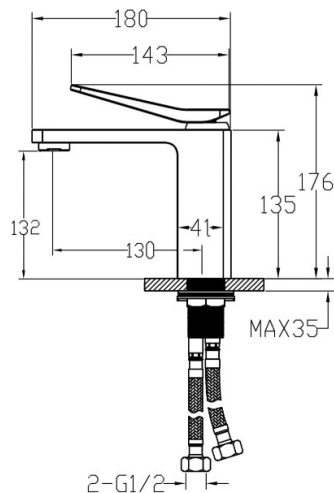
Note: if the static pressure exceeds 5bar, it must be installed a pressure reducing valve, to avoid pressure differences in cold and hot water supply

#### TECHNICAL INFORMATION: BASIN MIXER

SINGLE HANDLE W/O POP UP WASTE

DILLR HOLE DIA 35MM

### DRAWING



For more information's about this product or our full product range please contact us:  
Email: [info@heimbergint.com](mailto:info@heimbergint.com)

**HEIMBERG**