

HEIMBERG

TECHNICAL DATASHEET



HEIMBERG-ADVANCE CONCEALDE BATH/SHOWER MIXER WITH DIVETER

SPECIFICATIONS

INFORMATION

| | |
|------------------|---|
| Productcode: | HBM-ADV-170-MB |
| Finish | Matt Black |
| Producttype: | Single Lever Concealed Bath Shower Mixer |
| Material | body: brass, cartridge: 35mm Sedal Catridge |
| Connection size: | 1/2 |
| TestRange: | 0.2-5 bar |
| Max Pressure: | 16bar |

Hot water inlet temperature: max 90°C

recommended use (saving energy):60°C

Note: if the static pressure exceeds 5bar, it must be installed a pressure reducing valve, to avoid pressure differences in cold and hot water supply

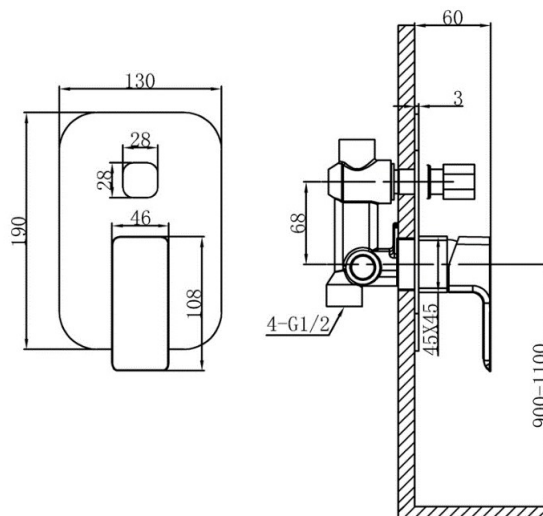
TECHNICAL INFORMATION: BOX CONTENTS

SHOWER MIXER VALVE: SINGLE HANDLE, FIXING KIT

WITH CONCEALED BOX

5 YEARS GUARANTEE 1 YEAR ON COLOR

DRAWING



For more information's about this product or our full product range please contact us:
Email: info@heimbergint.com

HEIMBERG