

HEIMBERG

TECHNICAL DATASHEET



HEIMBERG-URBAN: WALL MOUNTED BASIN MIXER W/O WASTE

SPECIFICATIONS

Product Model Number : HBM-URB-115-BG

Surface Treatment Brushed Gold

Product Mode Concealed Single Lever Basin Mixer Brushed Gold

Material: Body: Brass with ABS E-BOX Spout: Brass Panel: Brass

Cartridge : 35mm HT Cartridge,

Neoperl Aerator,

Connection Size : 1/2"

Recommended water pressure : 0.5-5bar

MAX Pressure : 16 bar

Hot water inlet temperature 90°C

Recommended operating temperature (energy saving) : 45°C

Attention: If the static pressure exceeds 5bar, a pressure reducing valve must be installed to avoid the pressure difference when the hot and cold water is supplied

Technical Information :

Wall Concealed Basin Mixer

Single Level

Shape: Circle

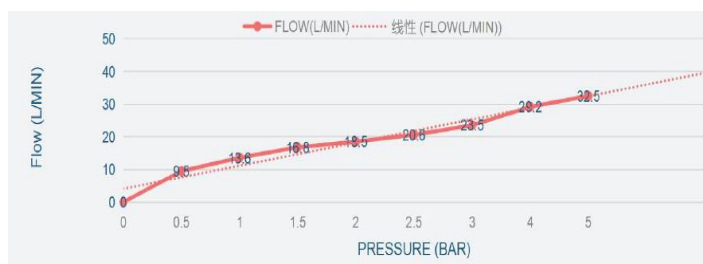
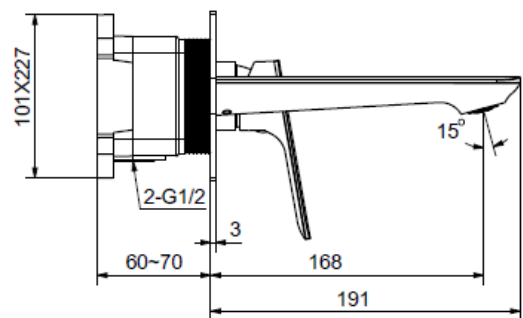
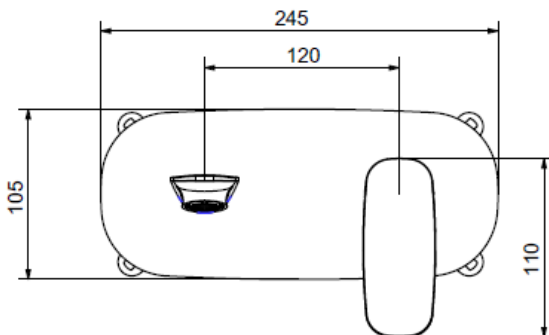
Included :

Wall Concealed Basin Mixer Body With E-box

With Panel and Handle

INFORMATION

DRAWING



For more information's about this product or our full product range please contact us:

Email: info@heimbergintl.com

HEIMBERG