

HEIMBERG

TECHNICAL DATASHEET



HEIMBERG- FLORA CONCEALED 3 HOLE BASIN MIXER W/O WASTE

SPECIFICATIONS

Product Model Number : HBM-FLO-113-OB

Surface Treatment Old brass

Product Mode Concealed 3-hole Basin Mixer Old Brass

Material: Body: Brass with ABS E-BOX Spout: Brass Panel: Brass

Cartridge : 35mm Sedal Cartridge,

Neoperl Aerator,

Connection Size : 1/2"

Recommended water pressure : 0.5-5bar

MAX Pressure : 16 bar

Hot water inlet temperature 90°C

Recommended operating temperature (energy saving) : 45°C

Attention: If the static pressure exceeds 5bar, a pressure reducing valve must be installed to avoid the pressure difference when the hot and cold water is supplied

Technical Information :

Wall Concealed Basin Mixer

Single Level

Shape: Circle

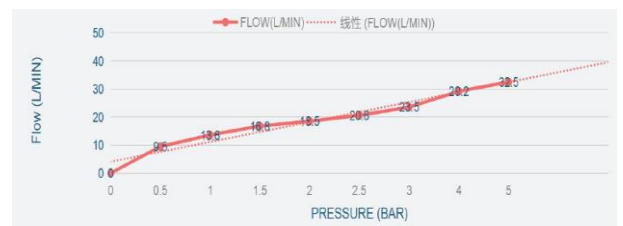
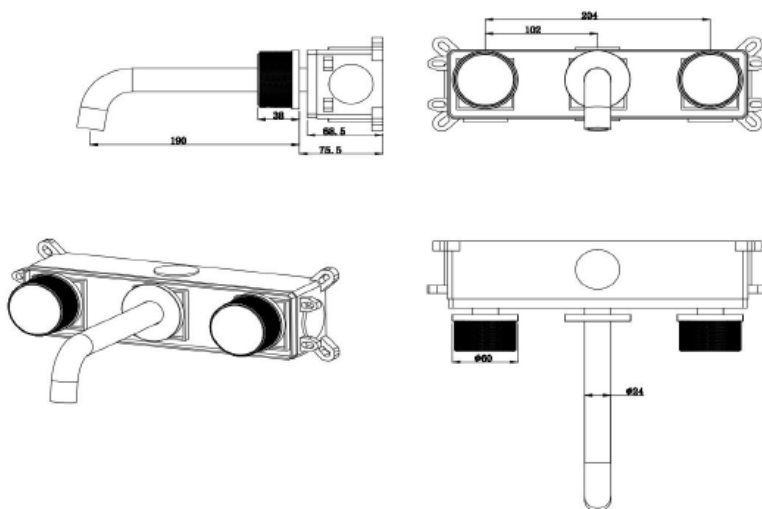
Included :

Wall Concealed Basin Mixer Body With E-box

With Panel and Handle

INFORMATION

DRAWING



For more information's about this product or our full product range please contact us:

Email: info@heimbergintl.com

HEIMBERG