

# HEIMBERG

## TECHNICAL DATASHEET



### HEIMBERG- FLORA:SINGLE TALL LEVER BASIN MIXER W/O WASTE

#### SPECIFICATIONS

#### INFORMATION

**Product Model Number :** HBM-FLO-110-OB

**Surface Treatment** Old brass

**Product Mode :** Single Lever Tall Basin Mixer W/O Puw Old Brass

**Material: Body:** Brass, Cartridge : 35mm Sedal Cartridge,

**Neoperl Aerator,** Inlet Pipe : 60cm sus

**Connection Size :** 1/2"

**Recommended water pressure :** 0.5-5 bar

**MAX Pressure :** 16 bar

Hot water inlet temperature 90°C

Recommended operating temperature (energy saving) : 45°C

Attention: If the static pressure exceeds 5bar, a pressure reducing valve must be installed to avoid the pressure difference when the hot and cold water is supplied

#### Technical Information :

High Basin Mixer

Single Level

Without Waste

Mounting aperture:35mm

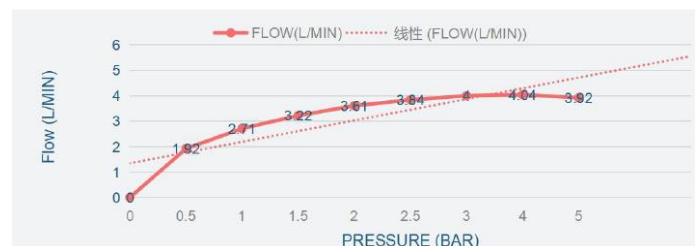
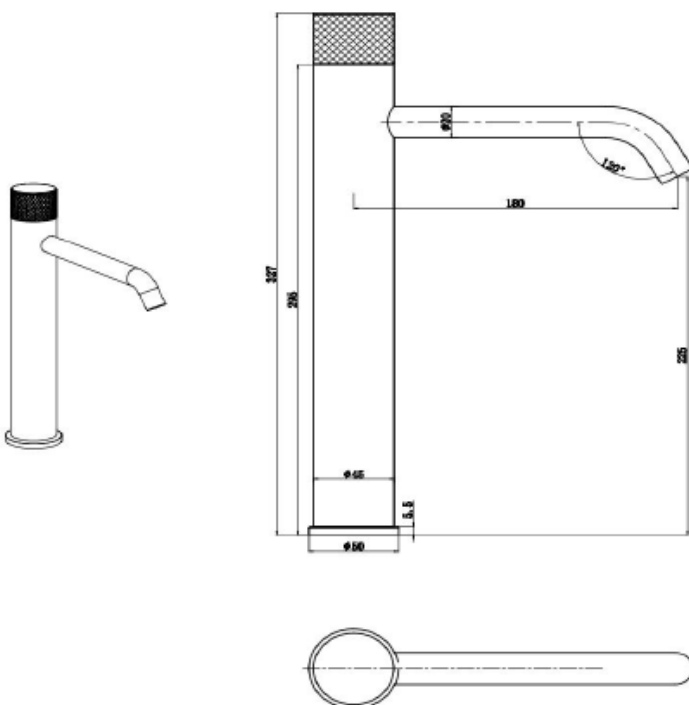
Shape: Circle

#### Included :

High Basin Mixer

Fixed kit

#### DRAWING



For more information's about this product or our full product range please contact us:

Email: [info@heimbergintl.com](mailto:info@heimbergintl.com)

**HEIMBERG**