

# HEIMBERG

## TECHNICAL DATASHEET



### HEIMBERG-URBAN: FREE STANDING BATH MIXER

#### SPECIFICATIONS

**Product Model Number** : HBM-URB-190-BG

**Surface Treatment** Brushed Gold

**Product Mode** Single Lever Free Standing Bath Mixer with Diverter, With Hand with Concealed Box Brushed Gold

**Material** : Body : Brass,

SUS Cartridge : 35mm HT Cartridge Connection Size : 1/2"

Recommended water pressure : 0.5-5bar

**MAX Pressure** : 16 bar

Hot water inlet temperature 90°C

Recommended operating temperature (energy saving) : 45°C

Attention: If the static pressure exceeds 5bar, a pressure reducing valve must be installed to avoid the pressure difference when the hot and cold water is supplied

#### Technical Information :

Free Standing Bath Mixer with Diverter, with hand with Concealed Box

Single Lever

Shape: Round

#### Included :

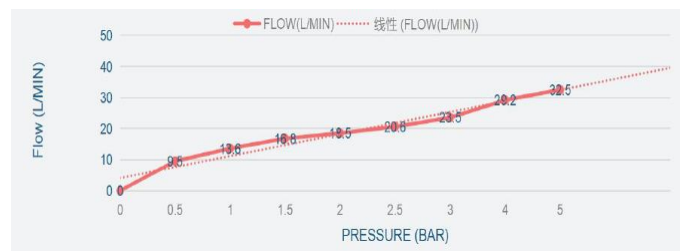
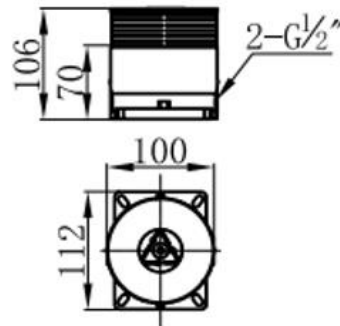
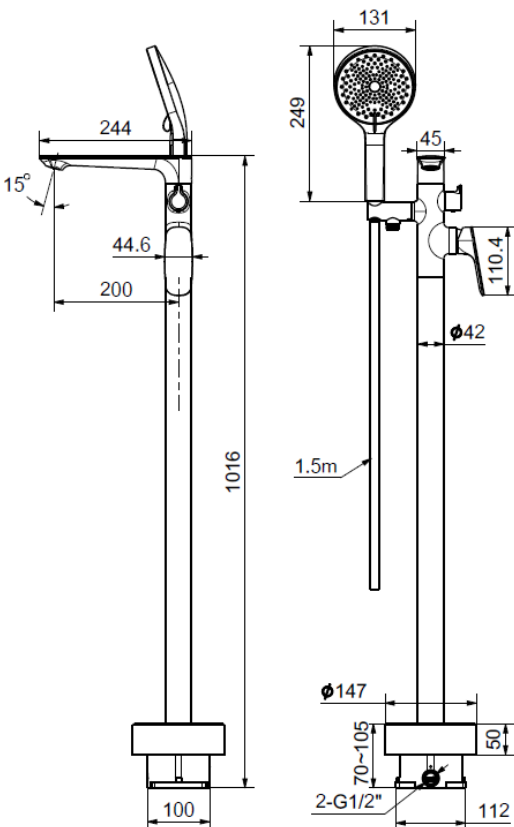
Concealed Box

Panel And handle

E-box

#### INFORMATION

#### DRAWING



For more information's about this product or our full product range please contact us:

Email: [info@heimbergintl.com](mailto:info@heimbergintl.com)

**HEIMBERG**