

HEIMBERG

TECHNICAL DATASHEET



HEIMBERG-VOLA FREE STANDING BASIN MIXER.

SPECIFICATIONS

INFORMATION

Product Model Number : HBM-VOL-116-MB

Surface Treatment Matt Black

Product Mode Single Lever Free Standing Basin Mixer, with Concealed Box

Material Body Brass,

SUS Cartridge : 35mm Sedal Cartridge Connection Size : 1/2"

Recommended water pressure : 0.5-5bar

MAX Pressure : 16 bar

Hot water inlet temperature 90°C

Recommended operating temperature (energy saving) : 45°C

Attention: If the static pressure exceeds 5bar, a pressure reducing valve must be installed to avoid the pressure difference when the hot and cold water is supplied

Technical Information :

Free Standing Basin Mixer, with Concealed Box

Single Lever

Shape: Circle

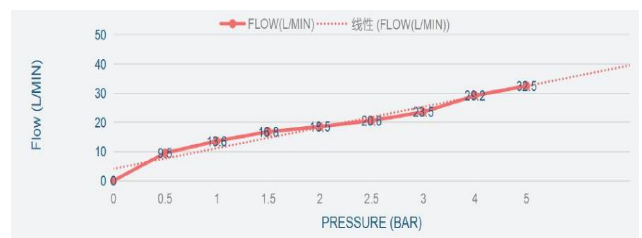
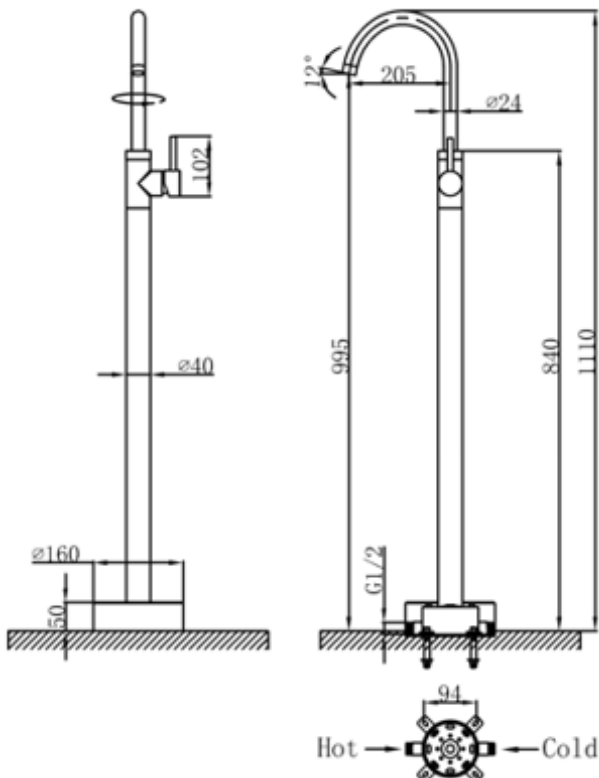
Included :

Concealed Box

Panel And handle

E-box

DRAWING



For more information's about this product or our full product range please contact us:

Email: info@heimbergintl.com

HEIMBERG