

# HEIMBERG

## TECHNICAL DATASHEET



### HEIMBERG-VOLA CONCEALED 3 HOLE BASIN MIXER W/O WASTE

#### SPECIFICATIONS

**Product Model Number :** HBM-VOL-113-MB

**Surface Treatment** Matt Black

**Product Mode** Concealed 3-hole Basin Mixer

**Material: Body:** Brass with Spout: Brass Panel: Brass

**Cartridge :** 35mm Sedal Cartridge,

**Neoperl Aerator,**

**Connection Size :** 1/2"

**Recommended water pressure :** 0.5-5bar

**MAX Pressure :** 16 bar

Hot water inlet temperature 90°C

Recommended operating temperature (energy saving) : 45°C

Attention: If the static pressure exceeds 5bar, a pressure reducing valve must be installed to avoid the pressure difference when the hot and cold water is supplied

#### Technical Information :

Wall Concealed Basin Mixer

Single Level

Shape: Circle

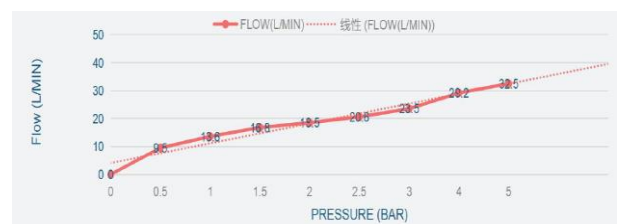
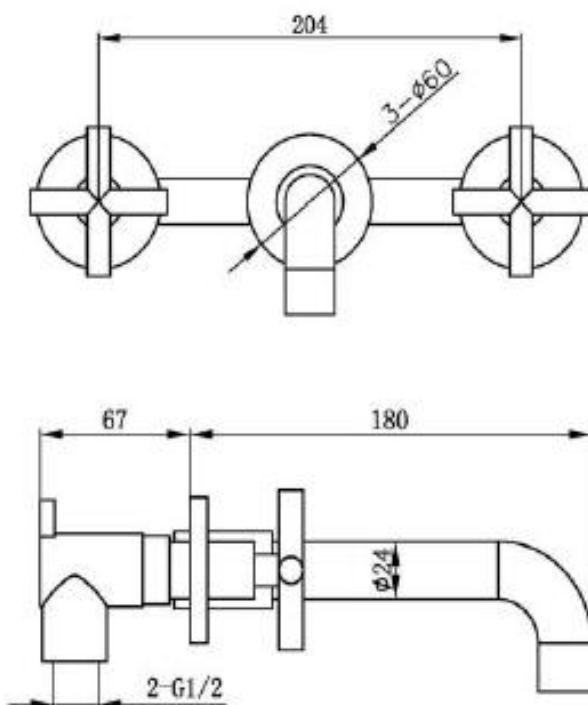
#### Included :

Wall Concealed Basin Mixer Body

With Panel and Handle

#### INFORMATION

#### DRAWING



For more information's about this product or our full product range please contact us:

Email: [info@heimbergintl.com](mailto:info@heimbergintl.com)

**HEIMBERG**